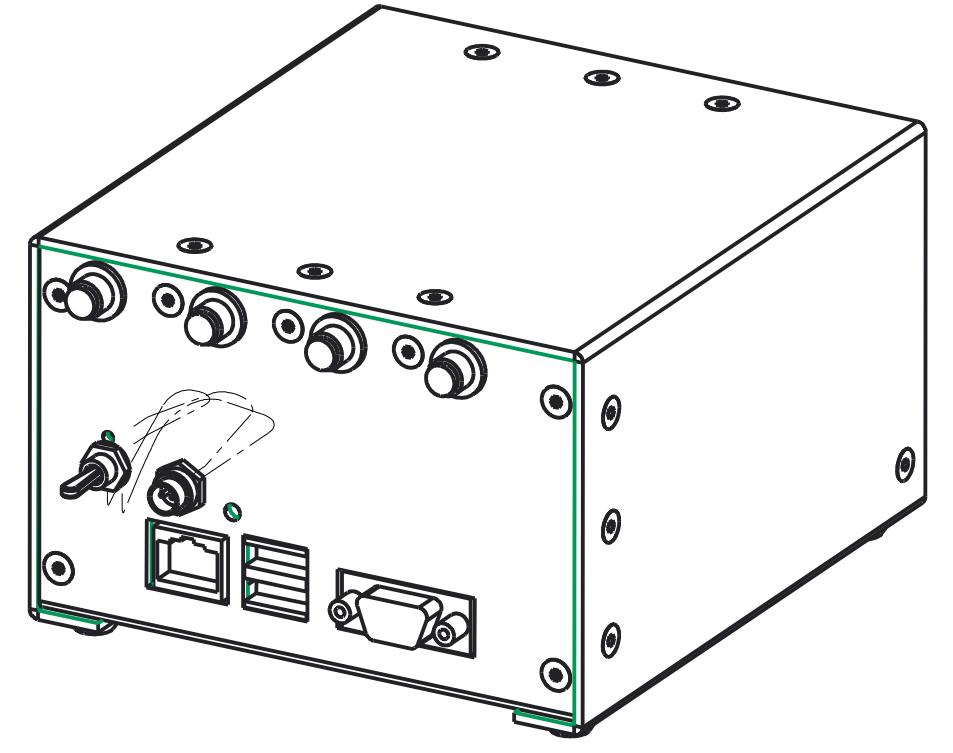
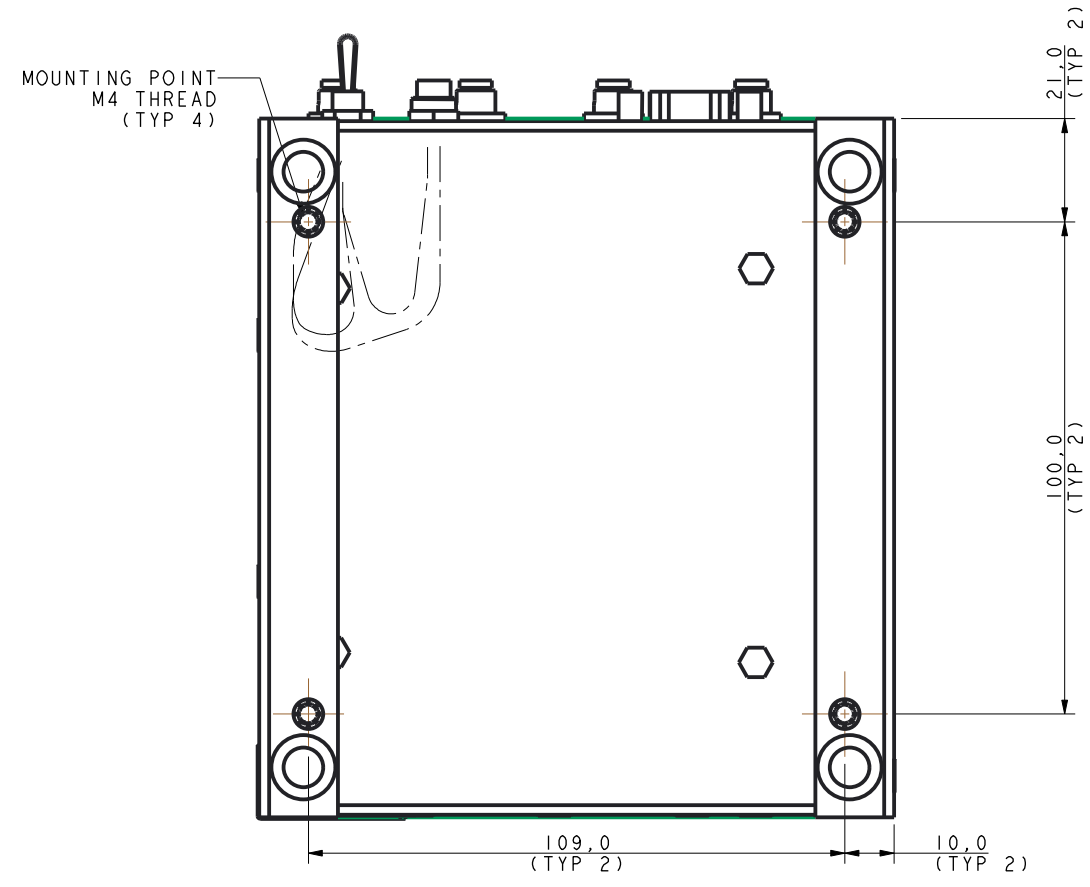
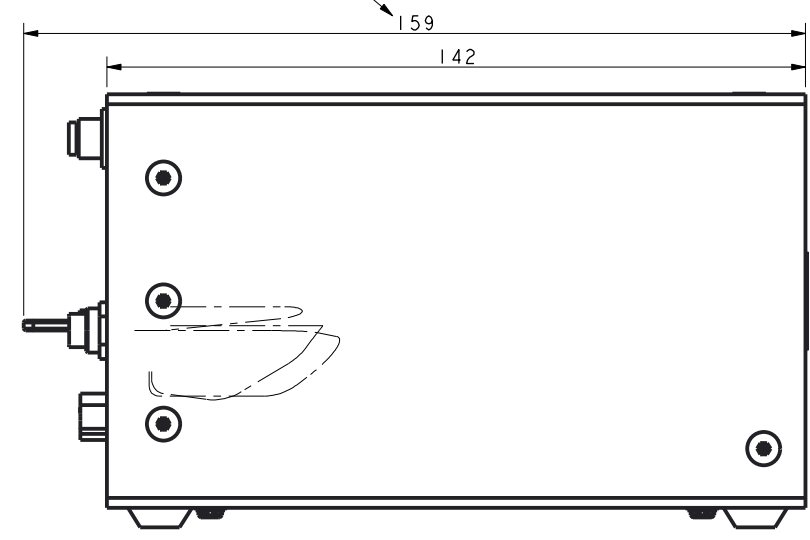
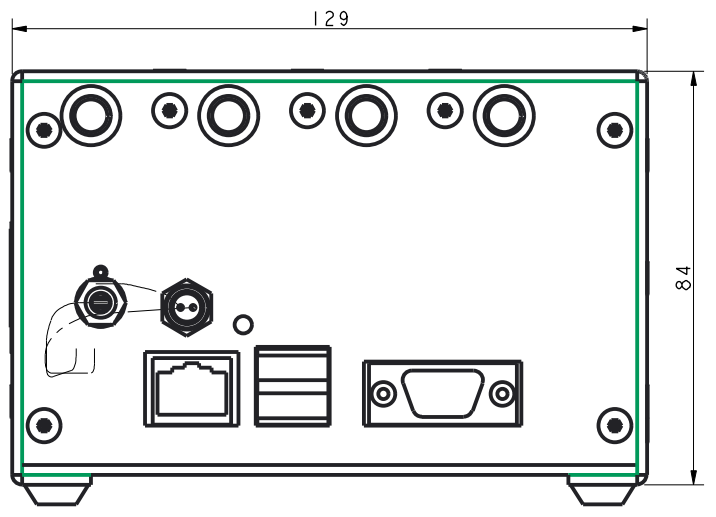
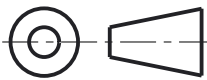



ALL DIMENSION IN mm

ALLOW AN EXTRA 70mm FOR MATED CONNECTOR WITH FIBRE BEND RADIUS



- NOTES:
1. MOUNTING POINTS INDICATED ARE TO USE STANDARD M4 THREAD WITH A MAXIMUM INSERTED LENGTH OF 6mm.
 2. MOUNTING POINTS ARE USED TO HOLD SMARTSCOPE CASE TOGETHER AND AS SUCH WILL BE SUPPLIED WITH M4 FASTENING SCREWS IN PLACE.
 3. THE SUPPLIED FASTENING SCREWS SHOULD NOT BE TAKEN OUT OF THE SMARTSCOPE UNTIL IT IS READY TO BE MOUNTED. AT WHICH POINT DUE CARE IS NEEDED WHEN HANDLING THE UNIT TO ENSURE THAT THE CASING REMAINS ASSEMBLED AS WELL AS RETAINING THE INTEGRITY OF THE WARRANTY SEAL.

					MATERIAL:				
					NA				
A	OB	GJ	JG	FIRST ISSUE	17-Nov-1	TOLERANCES:		USED ON:	DESCRIPTION:
ISSUE	DRWN	CHK	APPD	MODIFICATION	DATE	X	mm±0.5	3150	SMARTSCOPE ASSEMBLY
<small>ALL RIGHTS, TITLE AND INTEREST IN THIS DOCUMENT ARE AND SHALL REMAIN VESTED IN SMART FIBRES LTD AND THIS DOCUMENT IS NOT TO BE USED, COPIED COMMUNICATED OR DISCLOSED IN WHOLE OR IN PART TO ANY PERSON EXCEPT IN ACCORDANCE WITH AN AGREEMENT IN WRITING WITH SMART FIBRES LTD.</small>						X.X	mm±0.25	SCALE: 7:10	3150-2002
						X.XX	mm±0.1	FINISH: CLEAN	
						UNLESS OTHERWISE STATED			