

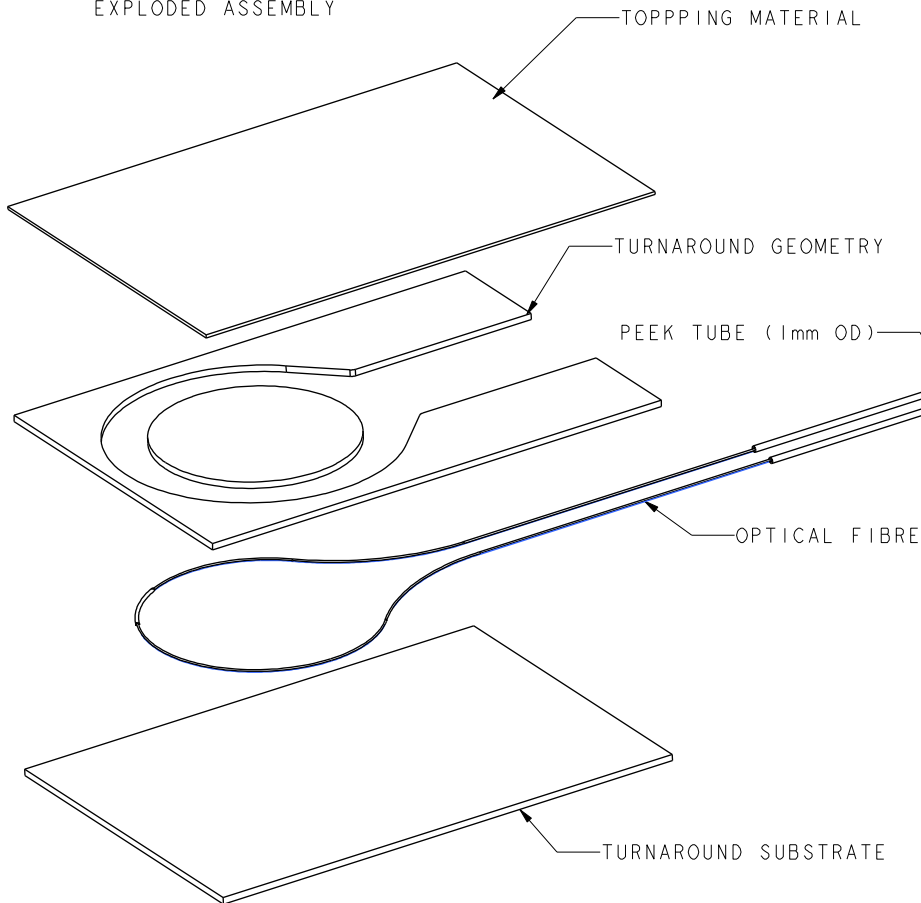
DRG No:

0661-2000

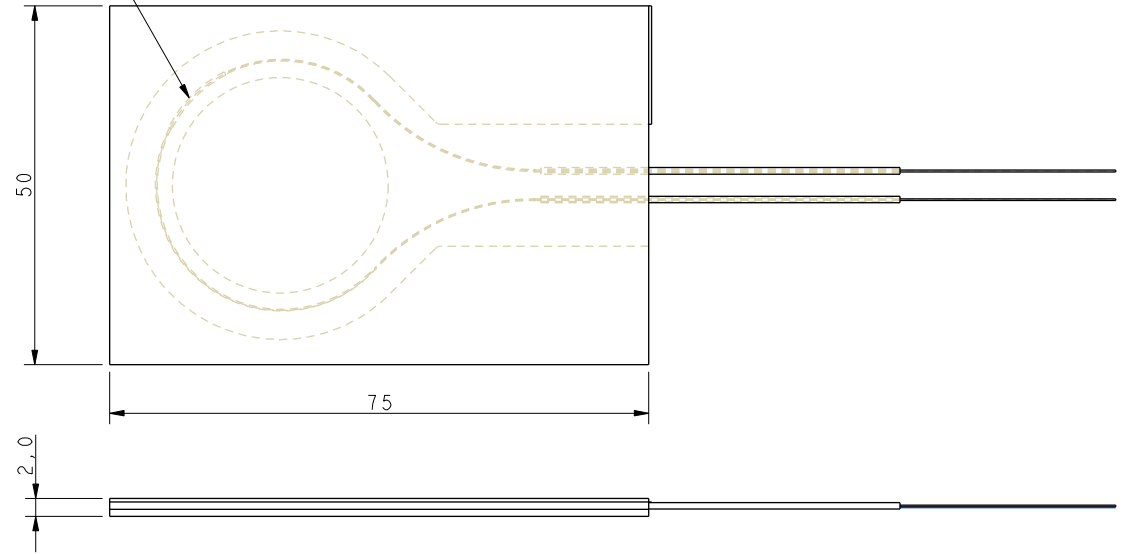
IF IN DOUBT PLEASE ASK

ALL DIMENSION IN mm

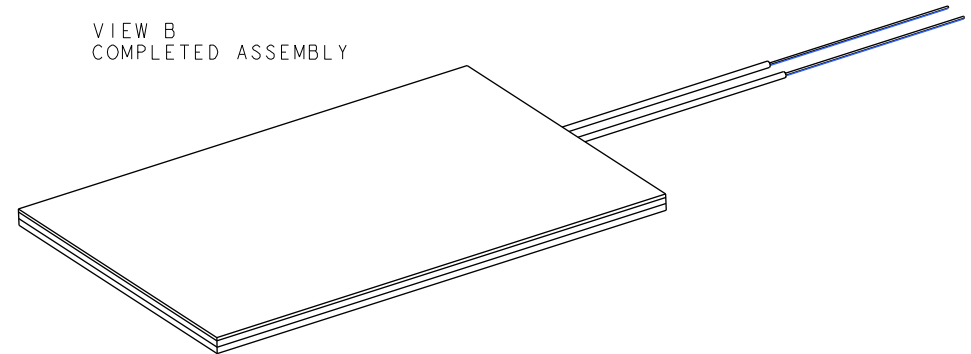
VIEW A
EXPLODED ASSEMBLY



FBG REGION




VIEW B
COMPLETED ASSEMBLY



| | | | | | |
|-------|------|-----|------|--------------|-----------|
| | | | | | |
| A | OB | JFV | CD | FIRST ISSUE | 15-Jun-11 |
| ISSUE | DRWN | CHK | APPD | MODIFICATION | DATE |

| | |
|-------------|---------|
| MATERIAL: | |
| NA | |
| TOLERANCES: | |
| X | mm±0.5 |
| X.X | mm±0.25 |
| X.XX | mm±0.1 |

| | |
|----------|-------|
| USED ON: | 0661 |
| SCALE: | 1:1 |
| FINISH: | CLEAN |

| | |
|---|-----------|
|  | |
| DESCRIPTION: | |
| TEMPERATURE TURNAROUND ASSEMBLY | |
| DRG No: | 0661-2000 |
| SIZE: | A4 |

ALL RIGHTS, TITLE AND INTEREST IN THIS DOCUMENT ARE AND SHALL REMAIN VESTED IN SMART FIBRES LTD AND THIS DOCUMENT IS NOT TO BE USED, COPIED, COMMUNICATED OR DISCLOSED IN WHOLE OR IN PART TO ANY PERSON EXCEPT IN ACCORDANCE WITH AN AGREEMENT IN WRITING WITH SMART FIBRES LTD.

UNLESS OTHERWISE STATED